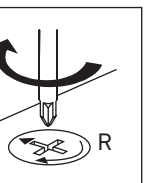
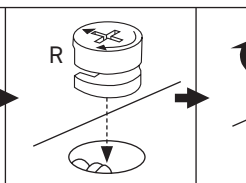
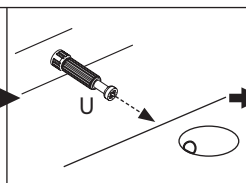
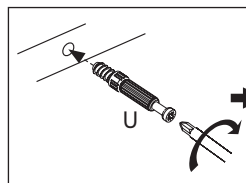
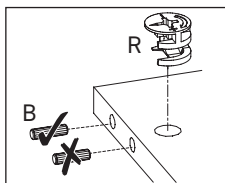
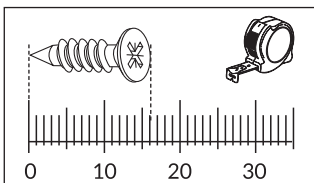
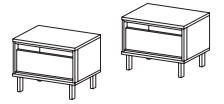
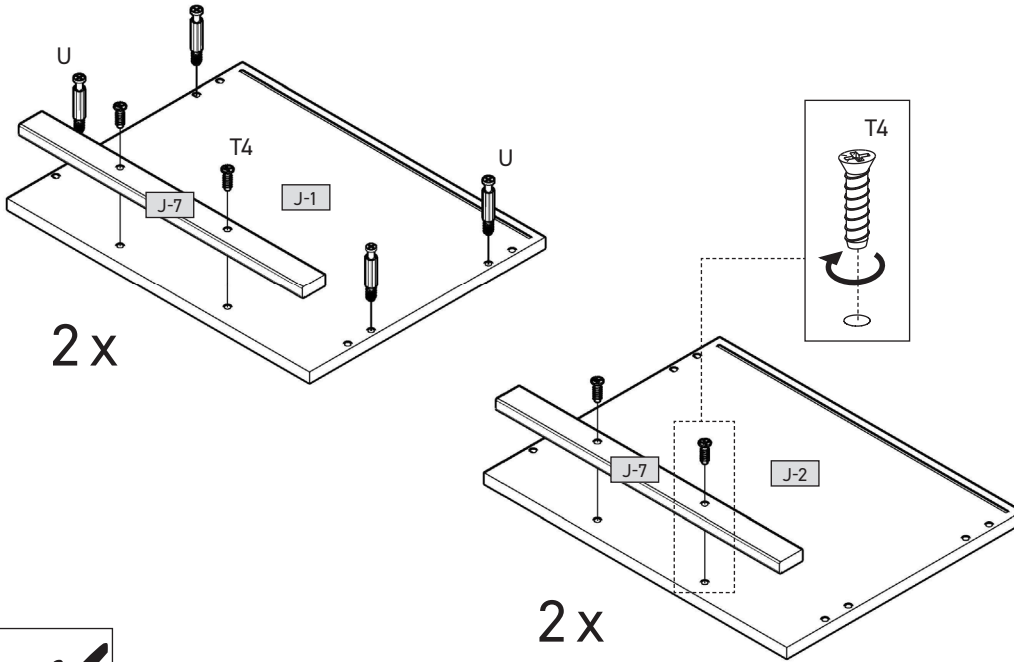


J-1	517	402	16	x 2	1/1
J-2	517	402	16	x 2	1/1
J-3	250	360	16	x 2	1/1
J-4	250	360	16	x 2	1/1
J-5	496	264	3	x 2	1/1
J-6	250	40	16	x 4	1/1
J-7	484	38	16	x 4	1/1
J-8	478	187	16	x 2	1/1
J-9	428	100	16	x 2	1/1
J-10	340	100	16	x 2	1/1
J-11	340	100	16	x 2	1/1
J-12	458	346	3	x 2	1/1

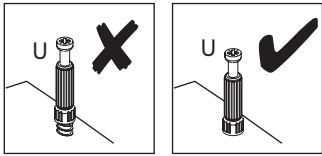




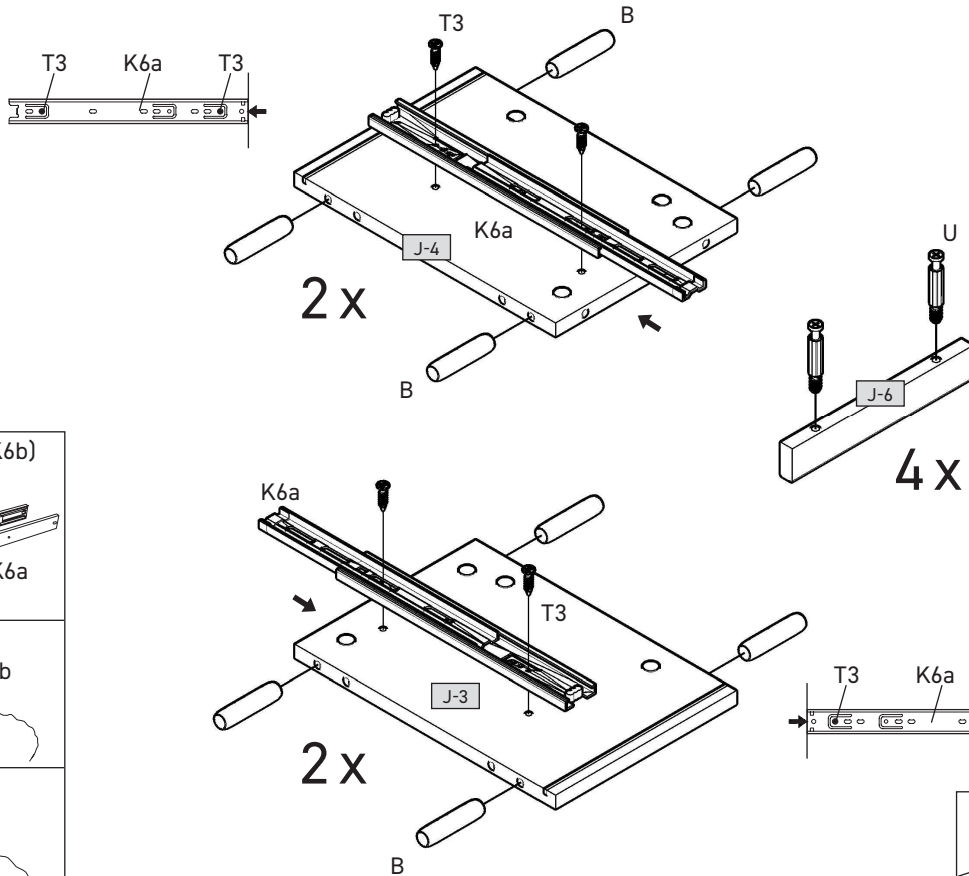
1



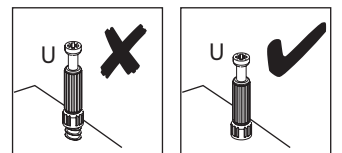
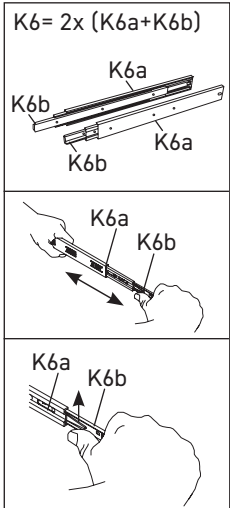
- T4 x8
6,3x24mm
- U x8
L=24,3mm

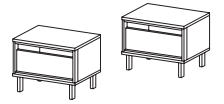


2

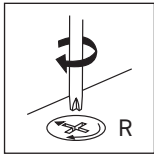
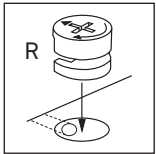
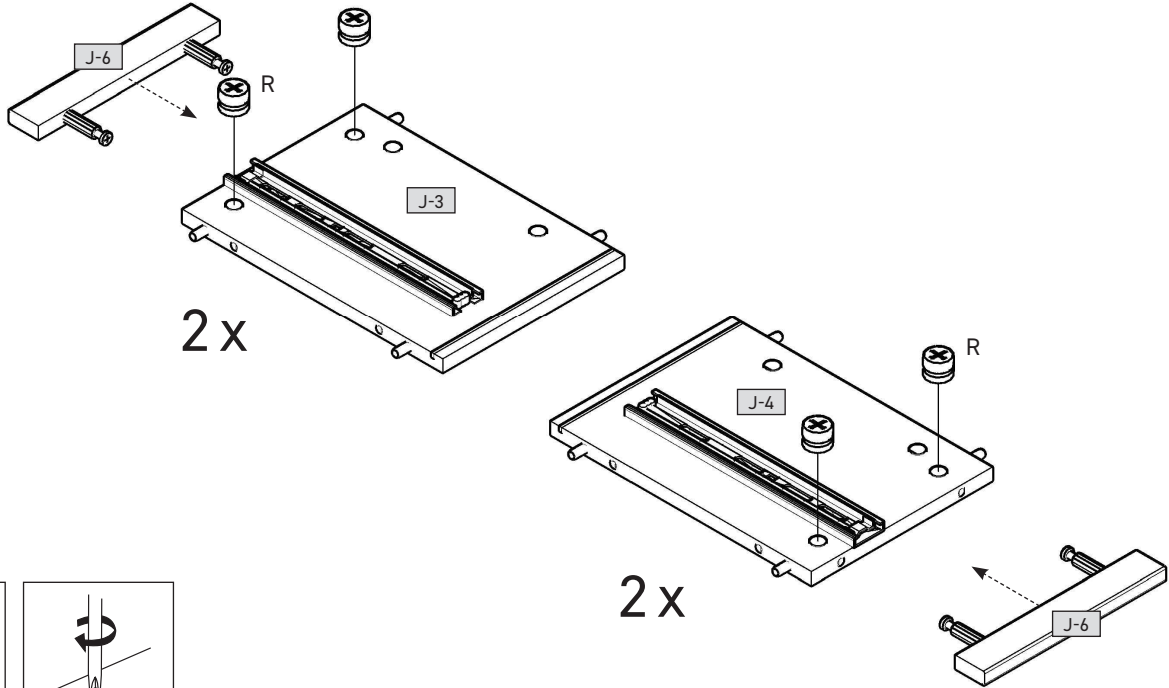
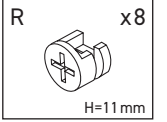


- B x16
8x32mm
- K6 x2
L=300mm
- T3 x8
5x9mm
- U x8
L=24,3mm

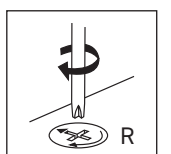
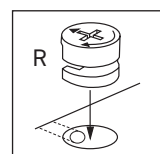
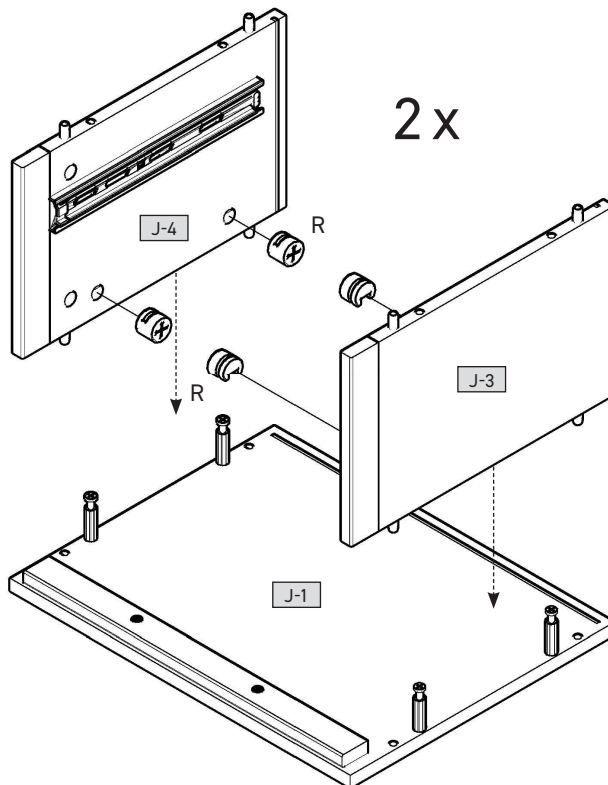
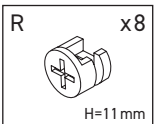


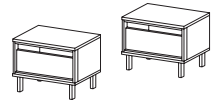


3



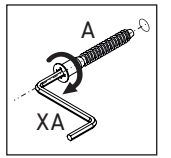
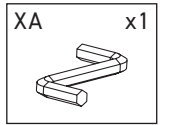
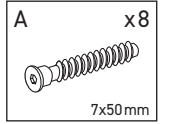
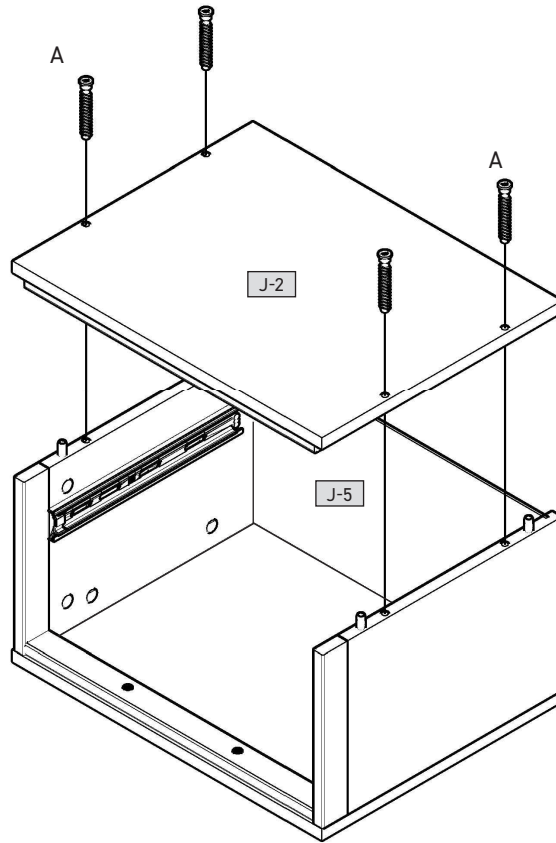
4





5

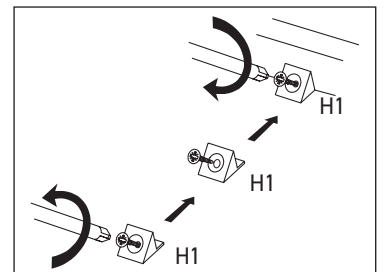
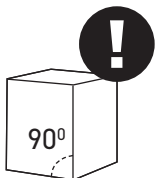
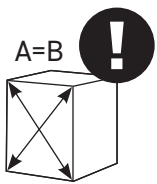
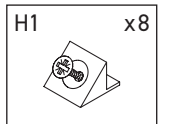
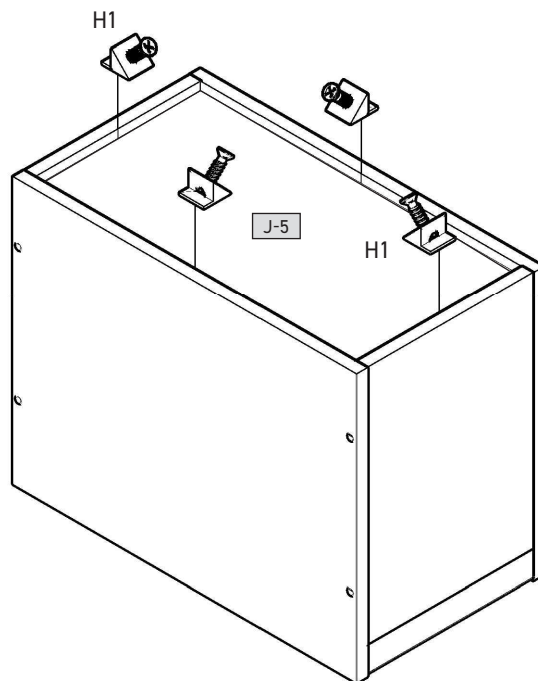
2x

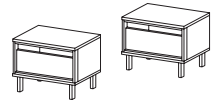


6

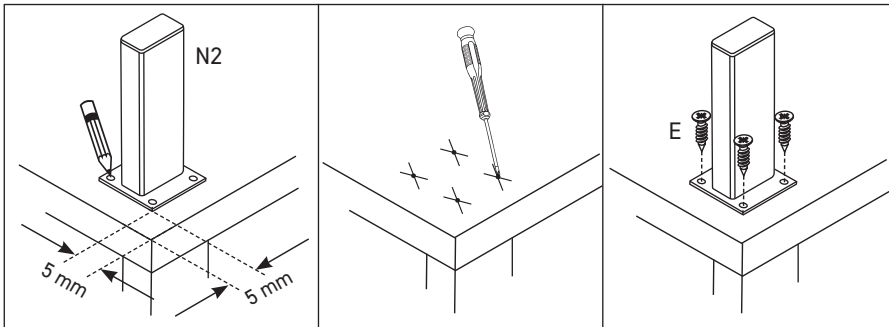
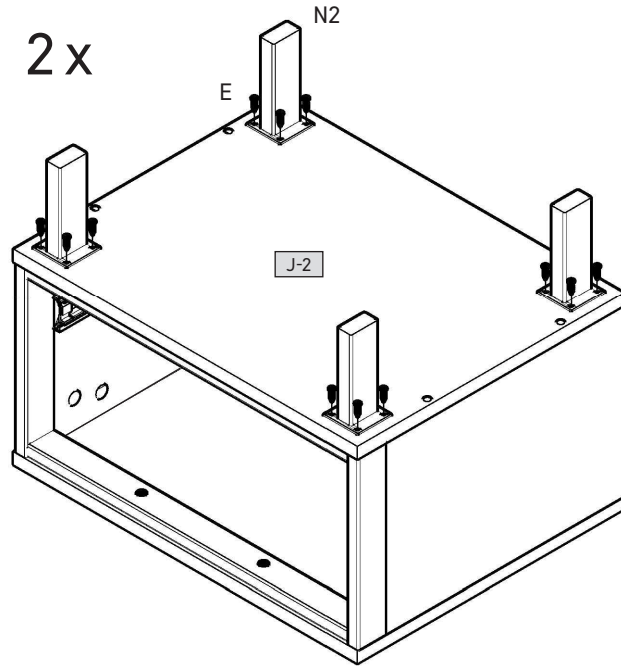
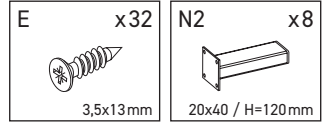


2x

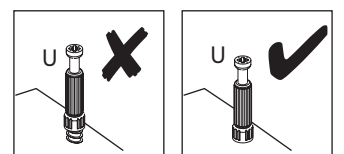
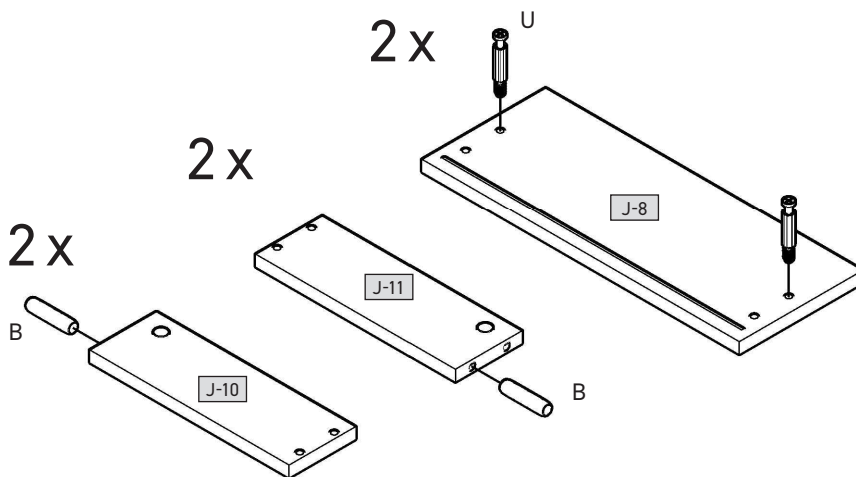
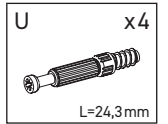
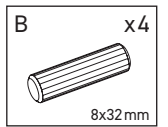


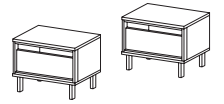


7

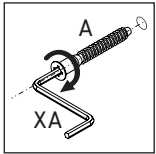
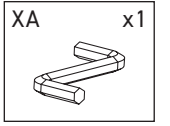
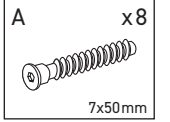
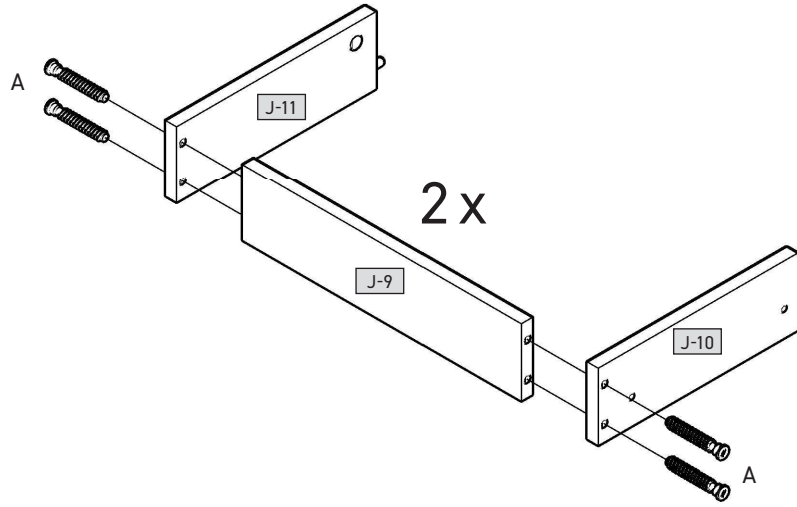


8

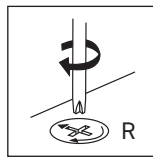
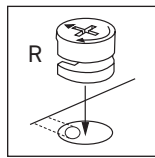
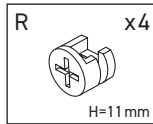
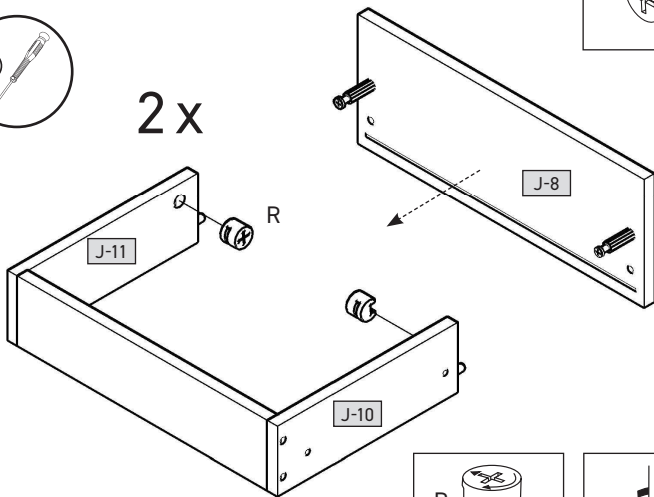




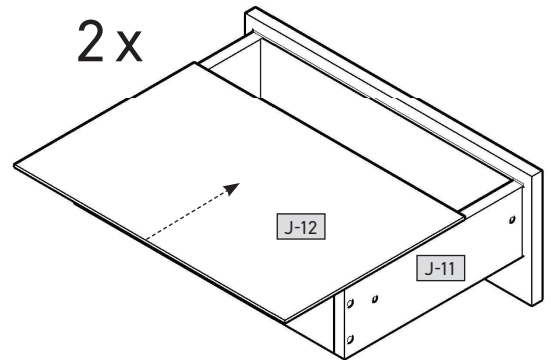
9



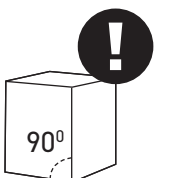
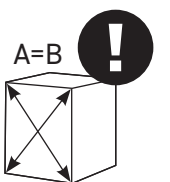
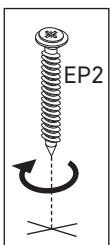
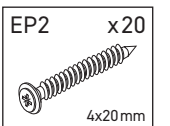
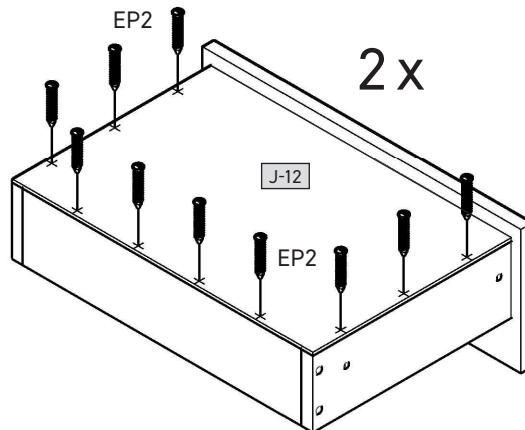
10

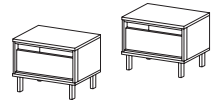


11

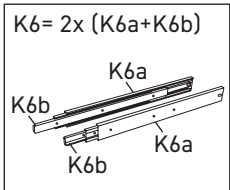
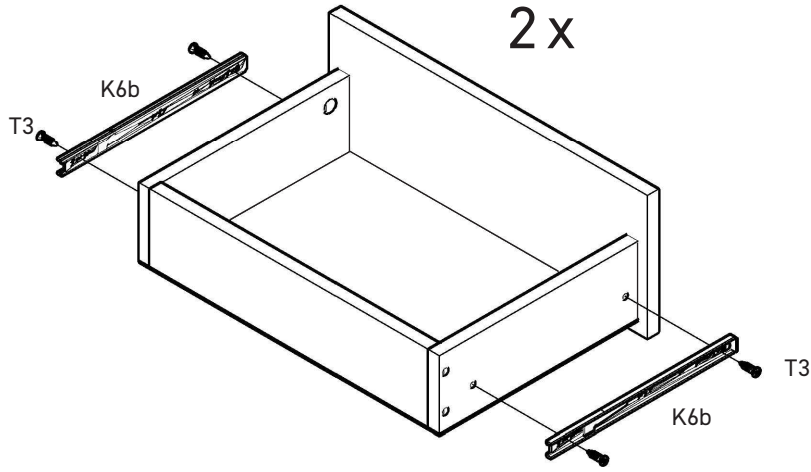
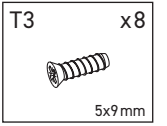
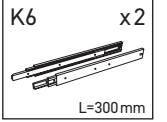


12

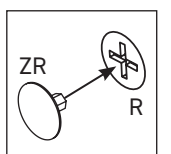
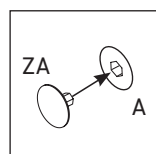
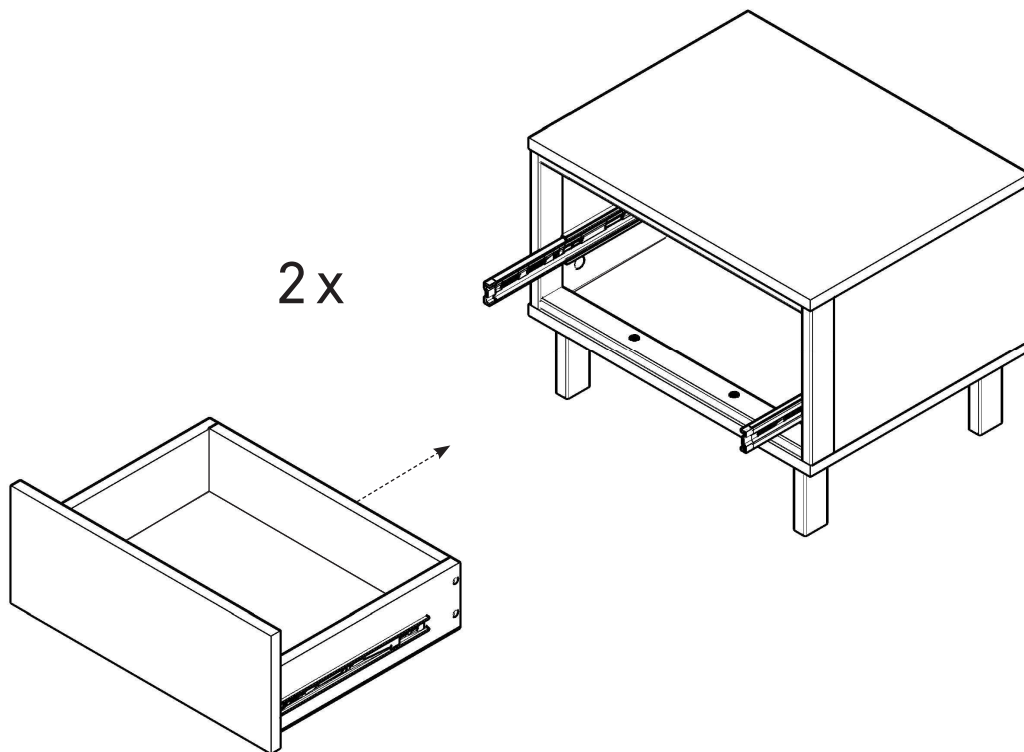
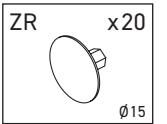
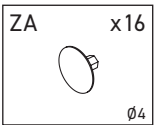


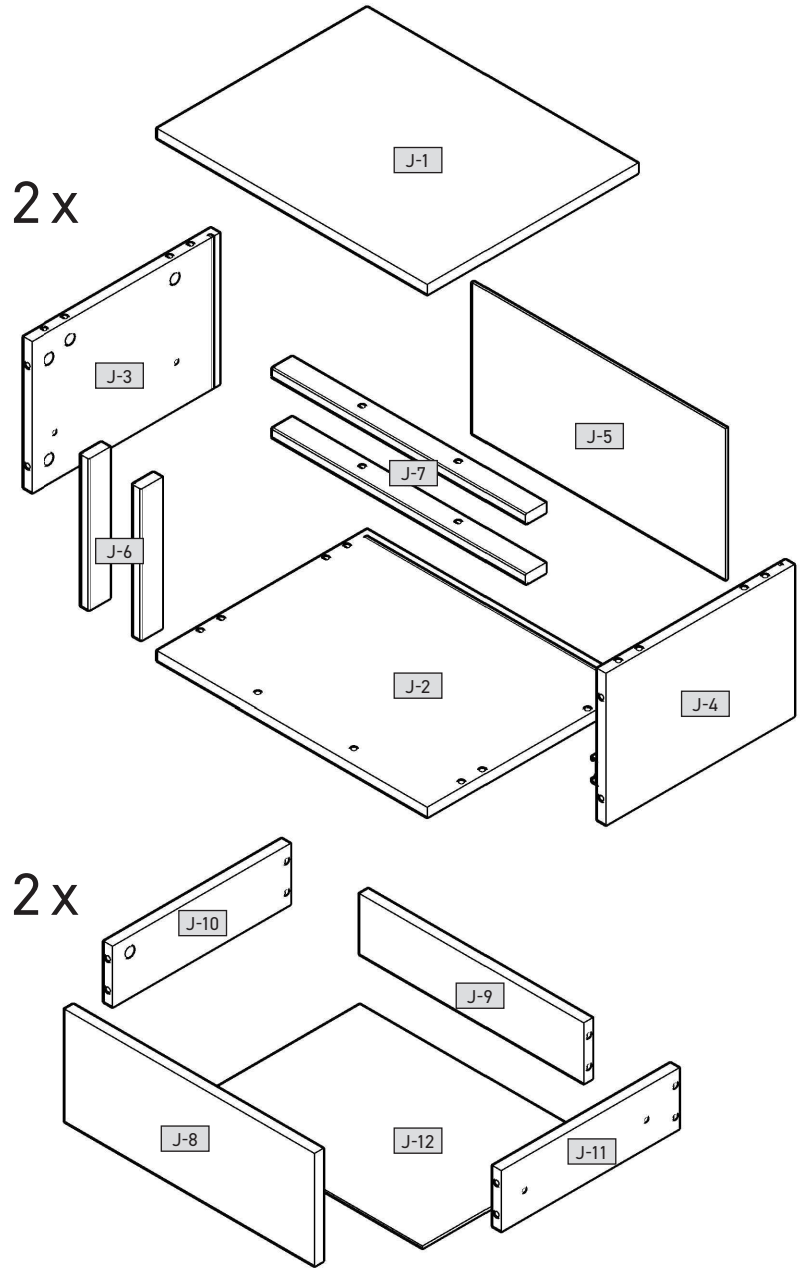
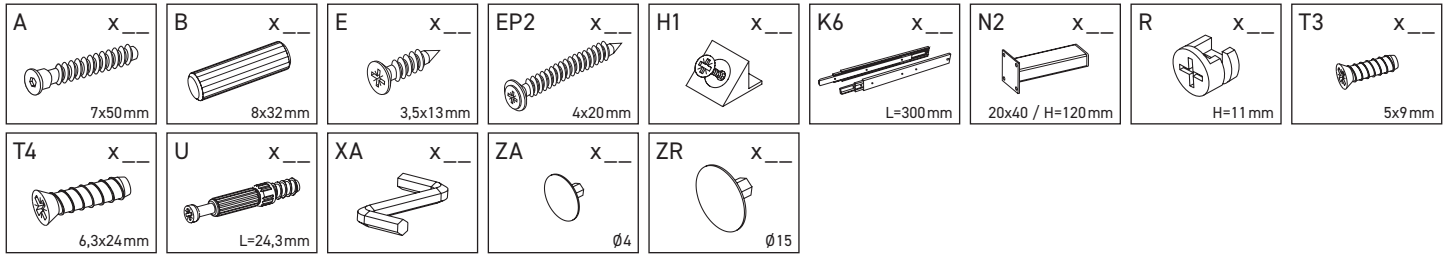


13



14





J-1	517	402	16	x 2	1/1
J-2	517	402	16	x 2	1/1
J-3	250	360	16	x 2	1/1
J-4	250	360	16	x 2	1/1
J-5	496	264	3	x 2	1/1
J-6	250	40	16	x 4	1/1
J-7	484	38	16	x 4	1/1
J-8	478	187	16	x 2	1/1
J-9	428	100	16	x 2	1/1
J-10	340	100	16	x 2	1/1
J-11	340	100	16	x 2	1/1
J-12	458	346	3	x 2	1/1